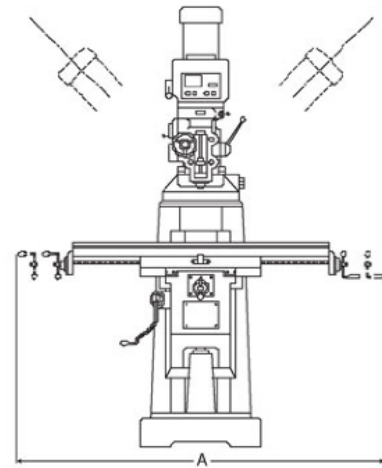
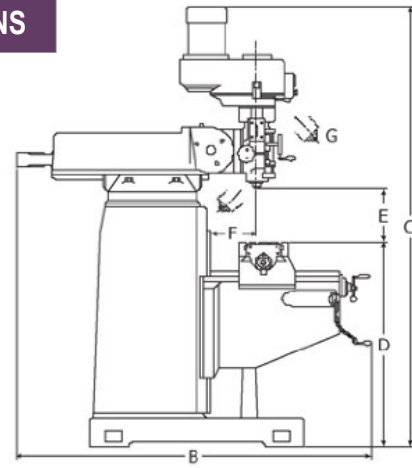


PROFILE DIMENSIONS



TECHNOLOGY

CREATIVITY

RELIABILITY

MACHINE YOUR WAY TO SUCCESS

SPECIFICATIONS		3S	3VS/F	3VKH	3VKF	4VKF-E	5VKF-E	
Table Size		9" x 42"	9" x 49"	10" x 50" (Opt. 10" x 54" on XL models)		12" x 50"		
Table (X) Travel / Ways		29" / dove-tail	36" / dove-tail	35" (Opt. 39") / dove-tail		33" / dove-tail		
Saddle (Y) Travel / Ways		12" / dove-tail		15.25" / dove-tail		18" / box		
Table/Saddle Bearing		18"		20"		22"		
Knee (Z) Travel / Ways		15" / dove-tail			17.25" / box		17.5" / box	
Ram Travel		14.5"		22"		25"		
Quill Travel		5"			5.5"		5.5"	
Quill Diameter		3.375"			4.173"		4.173"	
Quill Power Feed Rate		0.0015", 0.003", 0.006" / Rev				0.0017", 0.0033", 0.0054" / Rev		
Drilling Capacity (Manual)		0.75" Diameter						
Drilling Capacity (Power)		0.37" Diameter				0.62" Diameter		
Boring Capacity		6" Diameter				10" Diameter		
Milling Capacity		2 in ³ /min				3 in ³ /min		
Max Table Load		750 lbs		850 lbs		970 lbs		
Spindle Motor		3 HP				5HP		
Spindle Taper		R-8 (Opt. #30)				#40		
Spindle Speeds (RPM)		16 Steps 80 - 2720 - 5440	Standard Mechanical Variable Speeds 60 - 500 - 4200 AC Frequency Drive Head 50 - 550 - 4500		AC Frequency Drive Head 50 - 550 - 4500			
Overall Width	A	86"		102"		100"		
Overall Depth	B	67"		79"		82"		
Overall Height	C	84"	86" / 90"		84"	90"	95" / 99"	
Table to Floor (D)	Min	33"		34"		34.25" / 34.5"		
	Max	48"		49"		49.5" / 50"		
Spindle to Table (E)	Min	0 - 3.25"		0 - 2.75"		0 - 3.5" / 0 - 4"		
	Max	18.25"		17.75"		18" / 19.5"		
Spindle to Column (F)	Min	5"				5.25"		
	Max	19.5"		27"		32"		
Head Tilt / Rotate	G	± 45° / ± 45°				n/a / ± 45°		
Weight		2200 lbs	2300 / 2400 lbs		2900 lbs	3000 lbs	3600 lbs / 3800 lbs	

Note: Specification and design subject to change without prior notice.

KENT USA Kent Industrial USA Inc.
 1231 Edinger Avenue
 Tustin, CA 92780
 Tel: +1.714.258.8526
 Fax: +1.714.258.8530



www.kentusa.com





Precision Milling Machine

Manufactured to exact tolerance:

PARALLELISM:

X-axis
0.0008" / 20"

Y-axis
0.0008" / 20"

Knee
0.0008" / 12"

QUILL TRAVEL:
0.0005" / 5"

RAM TRAVEL:
0.002" / 7"

SPINDLE BORE RUNOUT:
0.00015"

"State of the art technology. It's the machine everyone in the shop wants to use first."

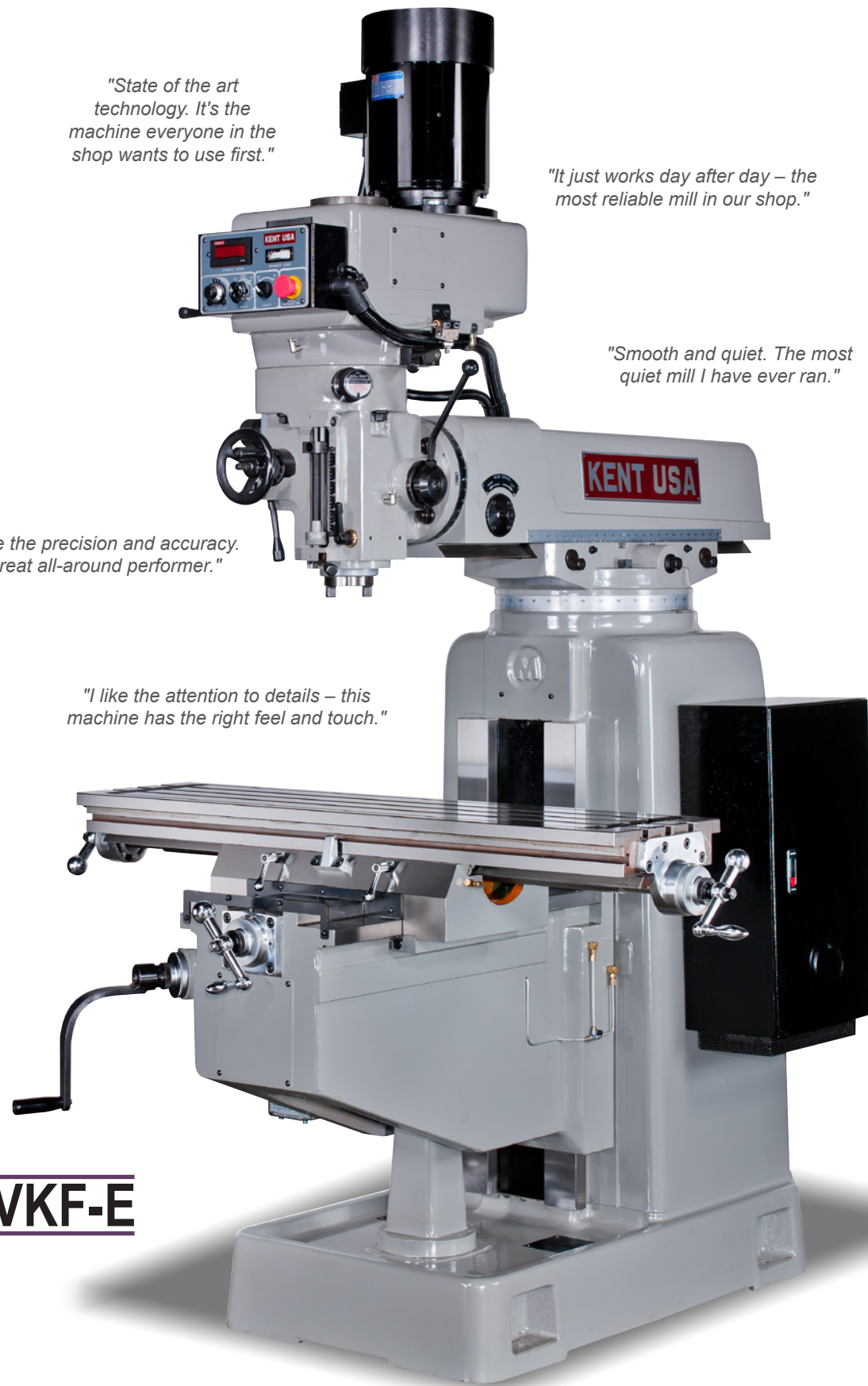
"It just works day after day – the most reliable mill in our shop."

"Smooth and quiet. The most quiet mill I have ever ran."

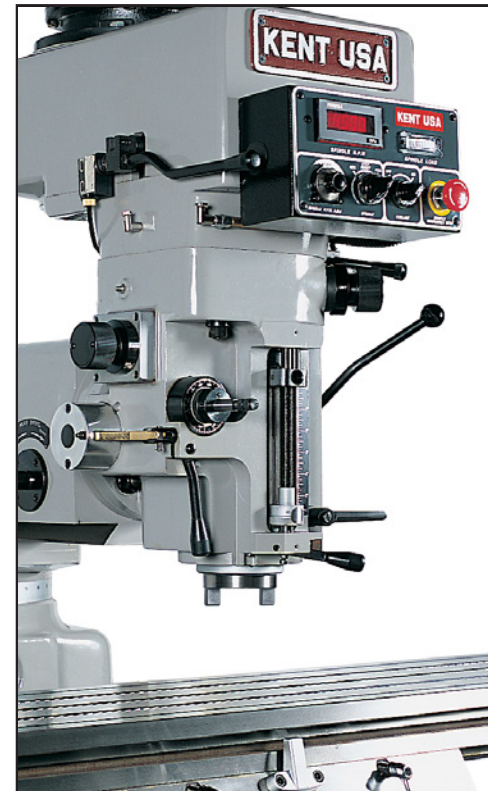
"I love the precision and accuracy. A great all-around performer."

"I like the attention to details – this machine has the right feel and touch."

5VKF-E



THE NEW INDUSTRY STANDARD



High Performance Inverter Drive F-Series

- New generation AC-Frequency Inverter drive delivers full range of spindle speeds without conventional mechanical sliding vari-speed pulleys.
- Runs on 3-ph or 1-ph power. No phase converter required for 1-ph power.
- Extra large digital spindle rpm display for easy and precise spindle speed control.
- Spindle load meter provides real-time monitoring and feedback of machining performance to optimize productivity.
- Higher spindle speeds, 50-550-4500 rpm with optional 6000 rpm spindle available, for a greater range of machining condition and applications.
- Ultra low-slip inverter duty spindle motor provides industry leading performance with fastest 0-4500 rpm spindle and near instantaneous reversals for dependable tapping without additional attachments.

OUTSTANDING FEATURES

- Table surface and bearing slideways hardened and ground, a feature pioneered and proven by Kent mills, now widely followed by all others.
- Table T-slots ground parallel to table ways for precision and ease of fixturing and set ups (on 4- and 5-series models).
- Certified licensed Meehanite® casting with internal ribbing-matrix provides the highest quality machine casting available with best in class long lasting stability and machining vibration dampening characteristics.
- Quick-set quill stop speeds set up times.
- Metered check valves ensure proper distribution to all lubrication points. Inverter drive models have standard automatic lubrication unit for lower maintenance needs.
- Precision ground leadscrews with backlash compensating double-nut design for superior accuracy and smooth travels with the right feel and tactile feedback.

Full Range of Sizes Available...

